

2.4 TALA

Brass expansion anchor



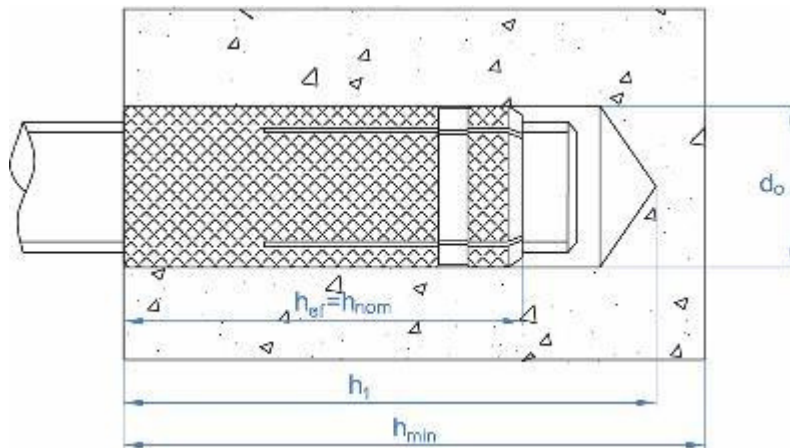
Properties



Brass

Sizes

CODE	Maat	Lengte	d ₀	h ₁	hef = h _{nom}	h _{mi}	Max aanbevolen gewicht
	[mm]	[mm]	[mm]	[mm]	[mm]	[mm]	[kg]
071000	W5/32	16	5	20	16	25	60
071004	M4	16	5	20	16	25	60
071005	M5	18	6	22	18	30	70
071006	M6	23	8	28	23	35	100
071008	M8	28	10	33	28	40	150
071010	M10	34	12	40	34	45	210
071012	M12	38	15	45	38	50	320



MULTIFAST®